

Technical sheet :

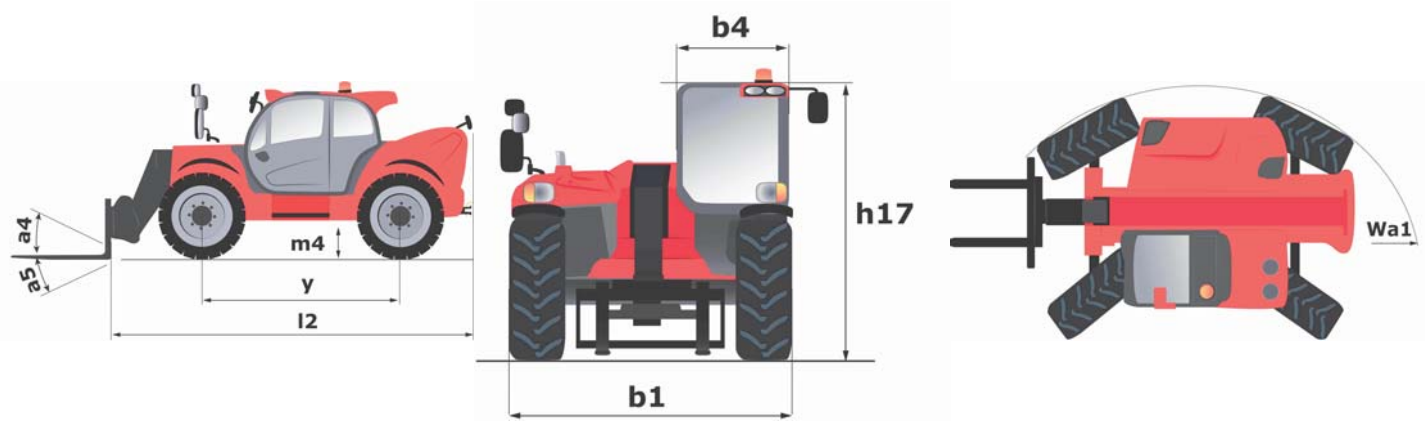
# **MHT-X 10230**

---

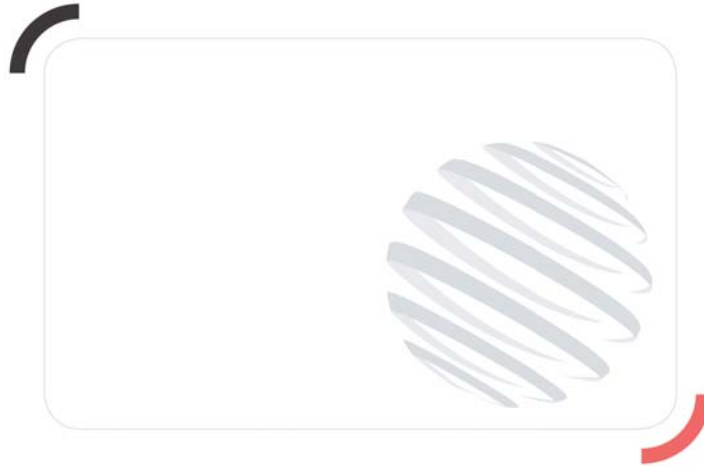


Capacities		Metric
Max. capacity	Q	23000 kg
Load centre of gravity	c	900 mm
Max. lifting height	h3	9.65 m
Max. Reach	l4	5.8 m
Weight and dimensions		
Unladen weight (with forks)		2930 kg
Ground clearance	m4	0.49 m
Wheelbase	y	3.9 m
Length to face of forks	l2	6.99 m
Overall width	b1	2.85 m
Overall height	h17	3.05 m
Overall cab width	b4	0.93 m
Tilt-down angle	a5	105 °
Tilt-up angle	a4	12 °
External turning radius (over tyres)	Wa1	5.4 m
Outer turning radius (with forks)	b15	6.65 m
Forks length / width / section	l / e / s	110 mm x 200 mm / 200 mm
Frame levelling corrector	a9	10 °
tires		
Standard tyres		Aeolus - 18.00 R25 AIN 47
Number of front wheels / rear wheels		2 / 2
Steering wheels (front / rear)		2 / 2
Drive wheels (front / rear)		2 / 2
Steering mode		2 wheel steer, 4 wheel steer, Crab mode
Engine		
Engine brand		Mercedes
Engine norm		Stage III A
Engine model		OM904LA
Number of cylinders / Capacity of cylinders		4 - 4250 cm <sup>3</sup>
I.C. Engine power rating / Power (kW)		176 Hp / 129 kW
Max. torque / Engine rotation		675 Nm@1200 rpm
Engine cooling system		Water
Number of batteries		2
Battery / Batteries capacity		12 V / 120 Ah
Drawbar pull (Laden)		18500 daN
Transmission		
Transmission type		Hydrostatic
Number of gears (forward / reverse)		2 / 2
Max. travel speed		25 km/h
Parking brake		Automatic Negative Hand-brake
Service brake		Hydraulic
Gradeability (laden)		34 %
Hydraulics		
Hydraulic pump type		Variable pump
Hydraulic flow - Pressure		205 l/min - 350 Bar
Tank capacities		
Engine oil		21 l
Hydraulic oil		290 l
Fuel tank		315 l
Noise and vibration		
Noise at driving position (LpA)		80 dB(A)
Noise to environment (LwA)		107 dB(A)
Vibration on hands/arms		< 2.5 m/s
Miscellaneous		
Safety cab homologation		ROPS - FOPS cab (level 2)
Controls		JSM
Attachment recognition system (E-Reco)		Standard

# Dimensional drawing







Siège Social  
430 rue de l'Aubinière - 44150 Ancenis Cedex - France  
Tel: +33(0)2 40 09 10 11 - Fax: +33 (0)2 40 09 10 97  
[www.manitou.com](http://www.manitou.com)



This brochure describes versions and configuration options for Manitou products which may be fitted with different equipment. The equipment described in this brochure may be standard, optional or not available depending on version. Manitou reserves the right to change the specifications shown and described at any time and without prior warning. The manufacturer is not liable for the specifications given. For more information, contact your Manitou dealer. Non-contractual document. Product descriptions may differ from actual products. List of specifications is not comprehensive. The logos and visual identity of the company are the property of Manitou and may not be used without authorisation. All rights reserved. The photos and diagrams contained in this brochure are provided for information only.

MANITOU BF SA - Limited company with board of directors - Share capital: 39,668,399 euros - 857 802 508  
RCS Nantes