

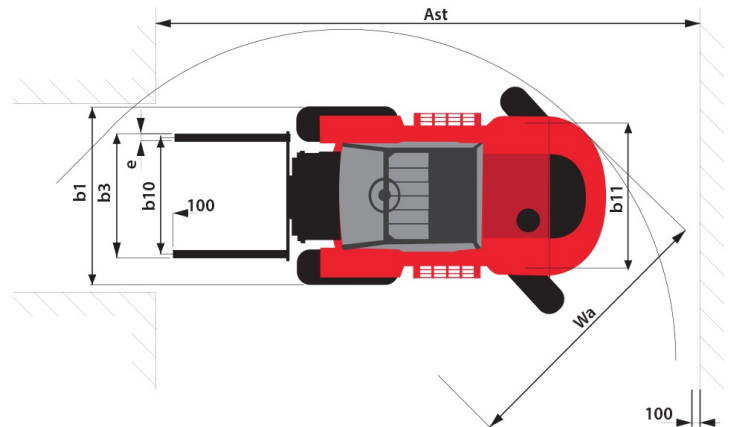
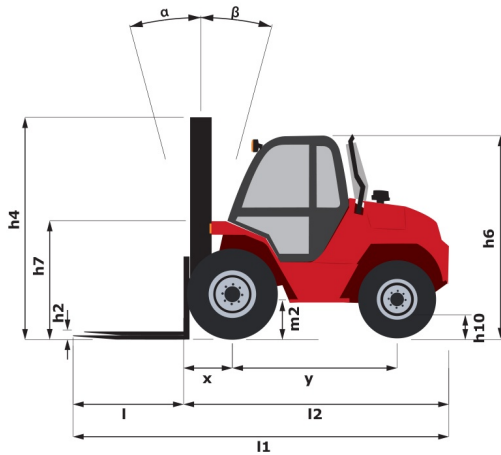
Technical sheet :

M-X 30-4



	Technical characteristics		Metric
1.1	Manufacturer		Manitou
1.2	Model Name		M-X 30-4
1.3	Power source		Diesel
1.4	Operator type		Seated
1.5	Max. capacity	Q	3000 kg
1.6	Load centre of gravity	c	500 mm
1.8	Load distance, centre of drive axle to fork	x	810 mm
1.9	Wheelbase	y	2.1 mm
	Weight		
2.1	Service weight		5320 kg
2.2	Weight on front axle (laden) / rear axle (laden)		6550 kg / 1370 kg
2.3	Weight on front axle (Unladen) / rear axle (Unladen)		2370 kg / 2950 kg
	Wheels		
3.1	Tyres type		Pneumatic
3.3	Dimensions of rear wheels		10,5/80-18 10PR TG42 TL
3.5	Number of front wheels / rear wheels		2 / 2
3.5.2	Number of drive wheels		2
3.6	Front wheel gauge	b10	1670 mm
	Dimensions		
4.1	Tilt of Mast Forward (deg) / Backward (deg)	α / β	6 / 12
4.7	Height of overhead guard (cabin)	h6	2540 m
4.19	Overall length	l1	4835 mm
4.20	Length to face of forks	l2	3635 mm
4.21	Overall width	b1	2105 mm
4.23	Fork carriage ISO 2328 (class/form) A/B		FEM3
4.24	Fork carriage width	b3	1470 mm
4.31	Ground clearance below mast	m1	495 mm
4.32	Ground clearance at centre of wheelbase	m2	395 mm
4.35	Turning radius	Wa	4070 mm
4.36	Internal turning radius (over tyres)	b13	1350 mm
	Performances		
5.1	Travel speed (laden / unladen)		27 km/h / 27 km/h
5.2	Lifting speed (laden / unladen)		0.5 m/s / 0.6 m/s
5.3	Lowering speed (laden / unladen)		0.5 m/s / 0.5 m/s
5.5	Drawbar pull (Laden / Unladen)		5685 daN / 3665 daN
5.10	Service brake		Hydraulic
	Engine		
7.1	Engine brand / model		Perkins / 1104D-44T NL38894
7.3	Rated speed		2360 rpm
	Miscellaneous		
8.1	Type of drive control		Hydraulic

Dimensional drawing



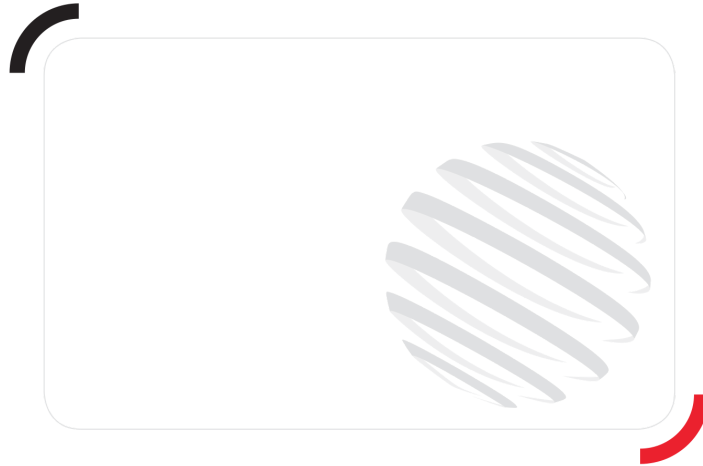
Characteristics of masts and residual capacities

		FLT 55
h1 - Height mast lowered *	mm	2975
h2 - Free lift	mm	2
h4 - Height mast extended *	mm	6532
α / β - Mast inclination (front / rear)	°	6 / 12

Full Visibility Duplex		FVD 30	FVD 33	FVD 35	FVD 37	FVD 40	FVD 45	FVD 50	FVD 55	FVD 60
h1 - Height mast lowered *	mm	2375	2525	2625	2785	2975	3225	3475	3725	3975
h2 - Free lift	mm	130	130	130	130	130	130	130	130	130
h3 - Lifting Height	mm	3000	3300	3500	3700	4000	4500	5000	5500	6000
h4 - Height mast extended *	mm	4115	4415	4615	4815	5115	5615	6115	6615	7115
α / β - Mast inclination (front / rear)	°	6 / 12	6 / 12	6 / 12	6 / 12	6 / 12	6 / 12	6 / 12	6 / 12	6 / 12
Residual capacity at max height	kg								1500	
Residual capacity without attachment (Industrial load chart)	kg								1500	

Free Lift Triplex		FLT 37	FLT 40	FLT 43	FLT 47	FLT 50	FLT 60
h1 - Height mast lowered *	mm	2275	2375	2525	2625	2785	3225
h2 - Free lift	mm	1283	1383	1533	1633	1793	2233
h3 - Lifting Height	mm	3700	4000	4300	4700	5000	6000
h4 - Height mast extended *	mm	4732	5032	5332	5732	6032	7032
α / β - Mast inclination (front / rear)	°	6 / 12	6 / 12	6 / 12	6 / 12	6 / 12	6 / 12
Residual capacity at max height	kg	3000	3000	2500	2250	1500	
Residual capacity without attachment (Industrial load chart)	kg	3000	3000	2500	2250	1500	
Residual capacity with integrated side shift (Industrial load chart)	kg			2500	1750	1250	

Full Visibility Triplex		FVT 55
h1 - Height mast lowered *	mm	3055
h2 - Free lift	mm	0
h3 - Lifting Height	mm	5500
h4 - Height mast extended *	mm	6725
α / β - Mast inclination (front / rear)	°	6 / 12
Residual capacity at max height	kg	2100
Residual capacity without attachment (Industrial load chart)	kg	2100



Siège Social
430 rue de l'Aubinière - 44150 Ancenis Cedex - France
Tel: +33(0)2 40 09 10 11 - Fax: +33 (0)2 40 09 10 97
www.manitou.com



This brochure describes versions and configuration options for Manitou products which may be fitted with different equipment. The equipment described in this brochure may be standard, optional or not available depending on version. Manitou reserves the right to change the specifications shown and described at any time and without prior warning. The manufacturer is not liable for the specifications given. For more information, contact your Manitou dealer. Non-contractual document. Product descriptions may differ from actual products. List of specifications is not comprehensive. The logos and visual identity of the company are the property of Manitou and may not be used without authorisation. All rights reserved. The photos and diagrams contained in this brochure are provided for information only.

MANITOU BF SA - Limited company with board of directors - Share capital: 39,668,399 euros - 857 802 508
RCS Nantes